

PRODUCT INFORMATION SHEET

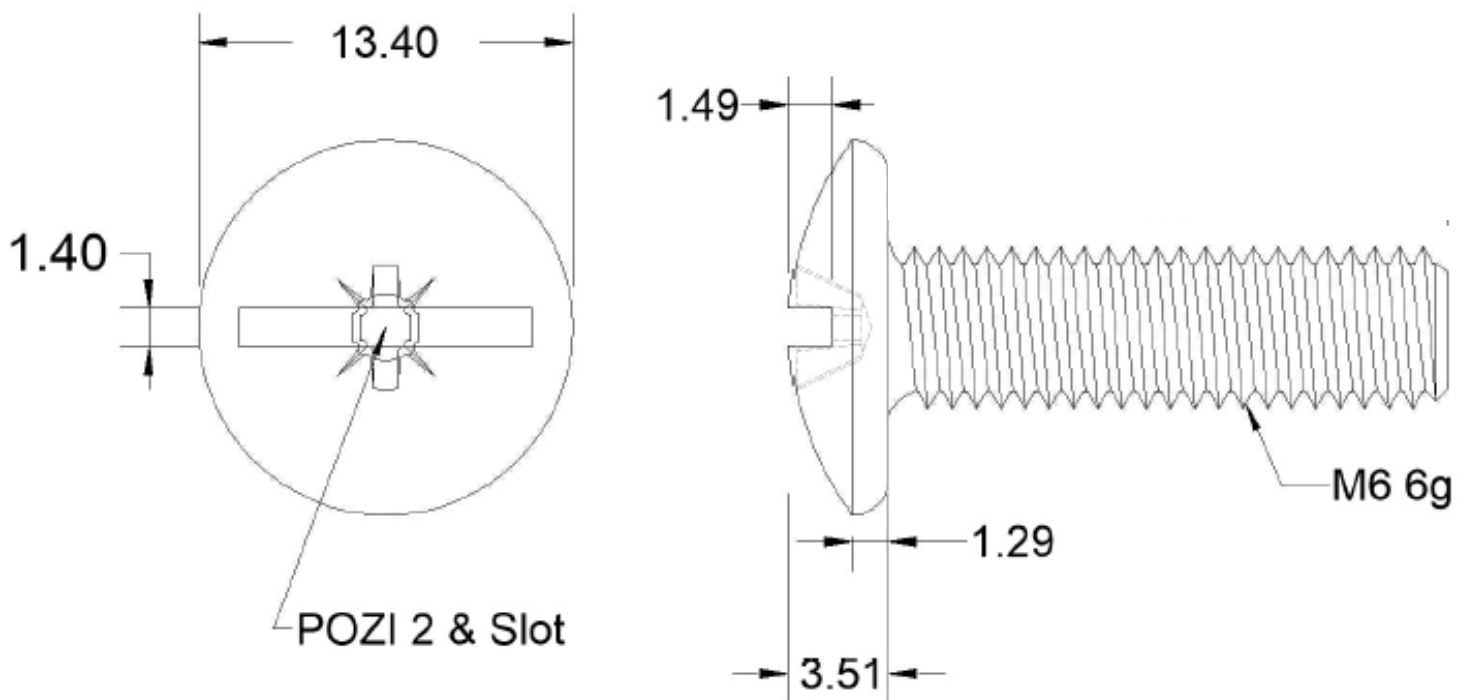
Zip Tray Roofing Bolts- BZP

With Hex Flange Nut

Description:

Specifically designed to provide a rapid and secure fixing when connecting cable trays.

The bolt includes a DIN6923 PZ2 serrated self gripping flange nut which doesn't need holding with spanners or grips. It also incorporates built in washer.



Order Code	Size	Finish	Box Qty
11341	M6 x 12mm	BZP	200
11342	M6 x 16mm	BZP	200
11343	M6 x 20mm	BZP	200
11344	M6 x 25mm	BZP	200

All data provided is correct at the time of print, but is subject to change by Kernow Fixings; please contact one of the Kernow team on 01726 624600 or sales@kernow-how.com to obtain the latest product information at the time of purchase.