

PRODUCT INFORMATION SHEET

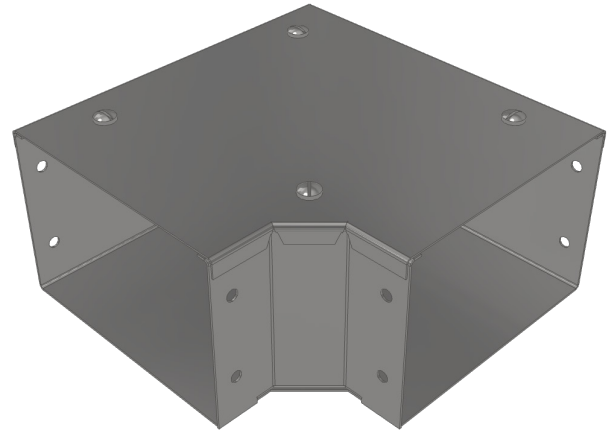
90° Top Lid Trunking Bend

Gusset Bend

Description:

Supplied with lid & internal connectors secured by M5 BZP screws (included) fixed into captive nut inserts.

Pre-Galvanised (PG) steel to BS EN 10142 & 3 and manufactured to BS EN 50085-1:2005 & EN 50085-2-1:2006.



Stock Code	Size (mm)	Finish
33020	50 x 50	PG
33021	75 x 50	PG
33022	75 x 75	PG
33023	100 x 50	PG
33024	100 x 75	PG
33025	100 x 100	PG
33026	150 x 50	PG
33027	150 x 75	PG
33028	150 x 100	PG
33029	150 x 150	PG

For further product information, please contact one of the Kernow team on 01726 624600 or sales@kernow-how.com